

# G-Mini™ Pump

3A6714C

EN

*For dispensing NLGI Grades #000 to #2 greases. For professional use only.*

**Not approved for use in explosive atmospheres or hazardous (classified) locations.**

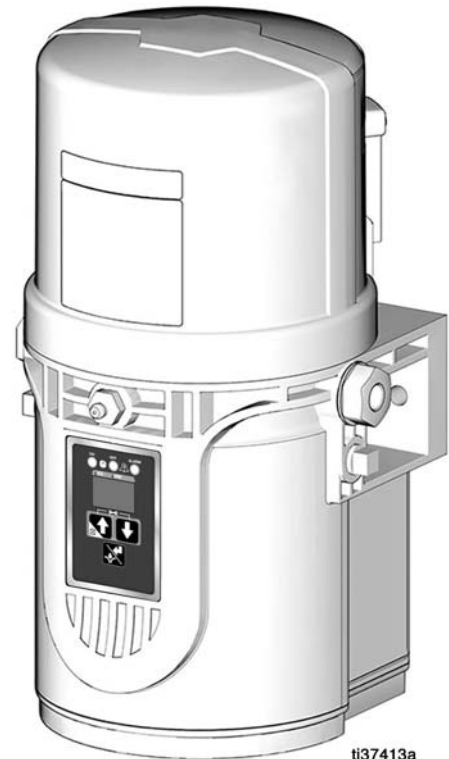
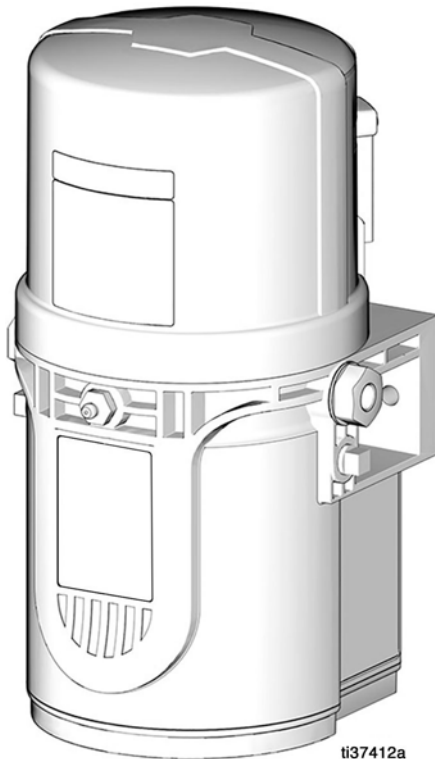
## Models, page 3

*4061 psi (28 MPa, 280 bar) Maximum Working Pressure*



### Important Safety Instructions

Read all warnings and instructions in this manual before using the equipment.  
Save these instructions.



# Contents




Models . . . . .	3	Troubleshooting . . . . .	28
Warnings . . . . .	4	Maintenance . . . . .	29
Installation . . . . .	6	Repair . . . . .	30
Typical Installation . . . . .	7	Reservoir Kits . . . . .	30
Divider Installation Remote.....	7	Pump Element Kits . . . . .	30
CSP Direct Mount Installation.....	7	Parts . . . . .	31
Choose an Installation Location . . . . .	8	CSP Valve Bracket Mount . . . . .	31
Fuses.....	9	Dimensions . . . . .	34
Recommendations for Pump Usage in Harsh Environments.....	9	Pump Mount . . . . .	35
Wiring and Installation Diagrams.....	9	Universal Bracket Mount . . . . .	35
Manual Run Button . . . . .	14	Technical Specifications . . . . .	36
Proximity Switch. . . . .	14	Graco Standard Warranty . . . . .	38
Setup . . . . .	15		
Pressure Relief Procedure . . . . .	15		
Disconnect and isolate all power supplies....	15		
Connect to Auxiliary Fittings . . . . .	15		
Pressure Relief Valves . . . . .	15		
Pressure Relief Valves . . . . .	15		
Set Pump Outlet Volume . . . . .	16		
Load Grease . . . . .	16		
Change Greases . . . . .	17		
Priming . . . . .	18		
Non Controller Operation . . . . .	19		
Low-Level Output Option.....	19		
Controller Operation . . . . .	20		
RUN MODE . . . . .	21		
SETUP MODE . . . . .	21		
ON TIME Configuration (Minutes) .....	21		
ON TIME Configuration (Cycles).....	22		
OFF TIME Configuration (Min./Hrs).....	22		
ADVANCED PROGRAMMING . . . . .	23		
Advanced Programming Menu Descriptions	23		
Alerts and Alarms . . . . .	26		
Alerts . . . . .	26		
Alarms . . . . .	26		
Alert and Alarm Scenarios . . . . .	27		









# Models

Model	Reservoir		Non-Controller	Controller	Voltage		Power Input	Low Level	Cycle Feedback Input	Pump Element Quantity	Heater
	0.5 L	1 L			12VDC	24VDC					
25R800		X	X			X	CPC	X		1	
25R801		X		X		X	CPC	X	M12	1	
25R802		X	X		X		CPC	X		1	
25R803		X		X	X		CPC	X	M12	1	
25R804		X		X		X	CPC	X	M12	1	X
25R805		X		X		X	CPC	X	M12	2	X
25R806		X		X	X		CPC	X	M12	1	X
25R807	X		X			X	CPC	X		1	
25R808	X			X		X	CPC	X	M12	1	
25R809	X		X		X		CPC	X		1	
25R810	X			X	X		CPC	X	M12	1	
25R820		X	X			X	DIN	X		1	
25R821		X		X		X	DIN	X	M12	1	
25R822		X	X		X		DIN	X		1	
25R823		X		X	X		DIN	X	M12	1	
25R824		X		X		X	DIN	X	M12	1	X
25R825		X		X		X	DIN	X	M12	2	X
25R826		X		X	X		DIN	X	M12	1	X
25R827	X		X			X	DIN	X		1	
25R828	X			X		X	DIN	X	M12	1	
25R829	X		X		X		DIN	X		1	
25R830	X			X	X		DIN	X	M12	1	

# Warnings

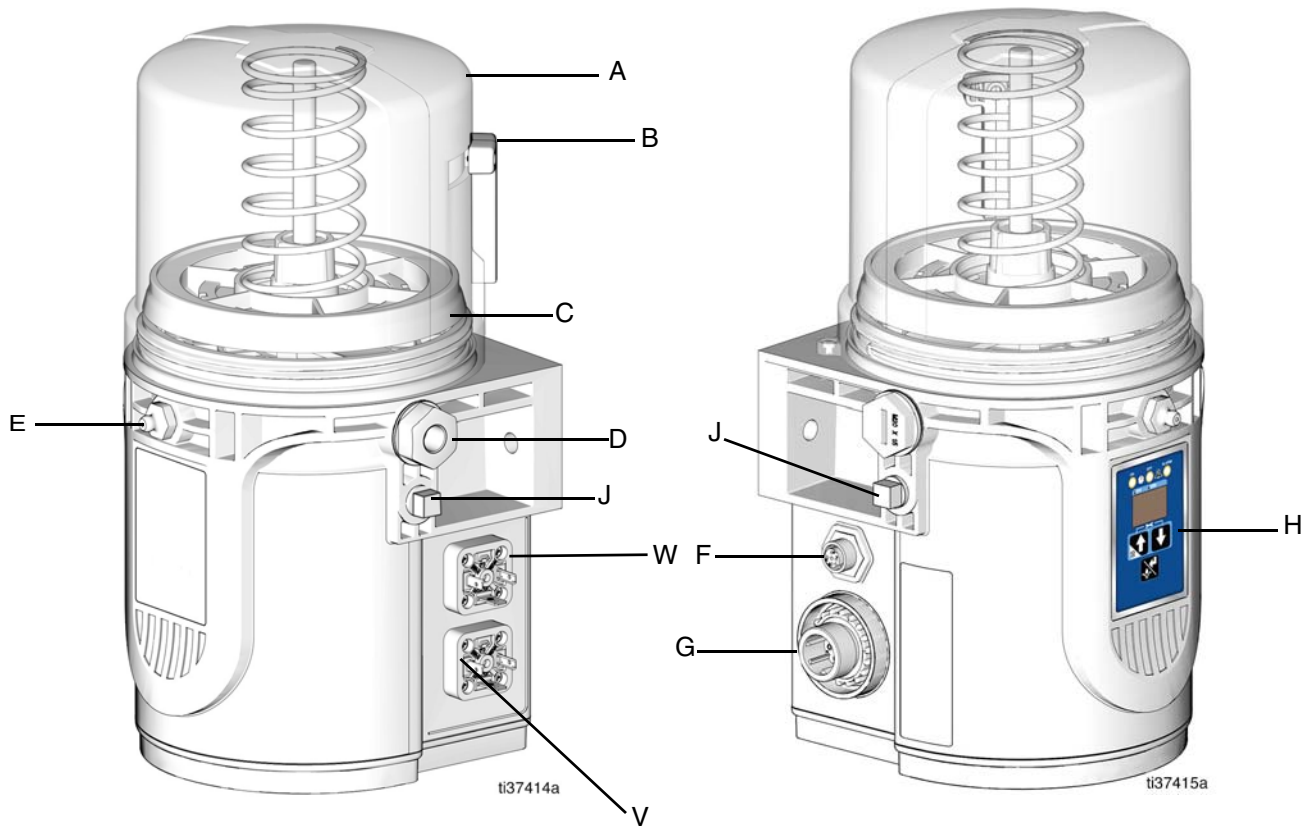
The following warnings are for the setup, use, maintenance, and repair of this equipment. The exclamation point symbol alerts you to a general warning and the hazard symbols refer to procedure-specific risks. When these symbols appear in the body of this manual or on warning labels, refer back to these Warnings. Product-specific hazard symbols and warnings not covered in this section may appear throughout the body of this manual where applicable.

 <h1 style="margin: 0;">WARNING</h1>	
	<p><b>SKIN INJECTION HAZARD</b></p> <p>High-pressure fluid from dispensing device, hose leaks, or ruptured components will pierce skin. This may look like just a cut, but it is a serious injury that can result in amputation. <b>Get immediate surgical treatment.</b></p> <ul style="list-style-type: none"> <li>• Do not point dispensing device at anyone or at any part of the body.</li> <li>• Do not put your hand over the fluid outlet.</li> <li>• Do not stop or deflect leaks with your hand, body, glove, or rag.</li> <li>• Follow the <b>Pressure Relief Procedure</b> when you stop dispensing and before cleaning, checking, or servicing equipment.</li> <li>• Tighten all fluid connections before operating the equipment.</li> <li>• Check hoses and couplings daily. Replace worn or damaged parts immediately.</li> </ul>
	<p><b>EQUIPMENT MISUSE HAZARD</b></p> <p>Misuse can cause death or serious injury.</p> <ul style="list-style-type: none"> <li>• Do not operate the unit when fatigued or under the influence of drugs or alcohol.</li> <li>• Do not exceed the maximum working pressure or temperature rating of the lowest rated system component. See <b>Technical Specifications</b> in all equipment manuals.</li> <li>• Use fluids and solvents that are compatible with equipment wetted parts. See <b>Technical Specifications</b> in all equipment manuals. Read fluid and solvent manufacturer's warnings. For complete information about your material, request Safety Data Sheets (SDSs) from distributor or retailer.</li> <li>• Turn off all equipment and follow the <b>Pressure Relief Procedure</b> when equipment is not in use.</li> <li>• Check equipment daily. Repair or replace worn or damaged parts immediately with genuine manufacturer's replacement parts only.</li> <li>• Do not alter or modify equipment. Alterations or modifications may void agency approvals and create safety hazards.</li> <li>• Make sure all equipment is rated and approved for the environment in which you are using it.</li> <li>• Use equipment only for its intended purpose. Call your distributor for information.</li> <li>• Route hoses and cables away from traffic areas, sharp edges, moving parts, and hot surfaces.</li> <li>• Do not kink or over bend hoses or use hoses to pull equipment.</li> <li>• Keep children and animals away from work area.</li> <li>• Comply with all applicable safety regulations.</li> </ul>

 <h1 style="margin: 0;">WARNING</h1>	
 	<p><b>PRESSURIZED EQUIPMENT HAZARD</b></p> <p>Over-pressurization can result in equipment rupture and serious injury.</p> <ul style="list-style-type: none"> <li>• A pressure relief valve is required at each pump outlet.</li> <li>• Follow the <b>Pressure Relief Procedure</b> in this manual when servicing equipment.</li> </ul>
 	<p><b>PLASTIC PARTS CLEANING SOLVENT HAZARD</b></p> <p>Many cleaning solvents can degrade plastic parts and cause them to fail, which could cause serious injury or property damage.</p> <ul style="list-style-type: none"> <li>• Use only compatible solvents to clean plastic structural or pressure-containing parts.</li> <li>• See <b>Technical Specifications</b> in all equipment manuals for materials of construction. Consult the solvent manufacturer for information and recommendations about compatibility.</li> </ul>
 	<p><b>MOVING PARTS HAZARD</b></p> <p>Moving parts can pinch, cut or amputate fingers and other body parts.</p> <ul style="list-style-type: none"> <li>• Keep clear of moving parts.</li> <li>• Do not operate equipment with protective guards or covers removed.</li> <li>• Equipment can start without warning. Before checking, moving, or servicing equipment, follow the <b>Pressure Relief Procedure</b> and disconnect all power sources.</li> </ul>
	<p><b>PERSONAL PROTECTIVE EQUIPMENT</b></p> <p>Wear appropriate protective equipment when in the work area to help prevent serious injury, including eye injury, hearing loss, inhalation of toxic fumes, and burns. Protective equipment includes but is not limited to:</p> <ul style="list-style-type: none"> <li>• Protective eyewear, and hearing protection.</li> <li>• Respirators, protective clothing, and gloves as recommended by the fluid and solvent manufacturer.</li> </ul>

# Installation

## Component Identification



**FIG. 1:**

**Key:**

- A Reservoir
- B Venting Tube
- C Follower Plate
- D Pump Element
- E Zerk Inlet Fill Fitting
- F Cycle Indicator Connector (Controller model only)
- G CPC Connector
- H Controller
- J Return to Reservoir
- V DIN Connector (Power)
- W DIN Connector (Low level/Manual run button)

## Typical Installation Divider Installation Remote

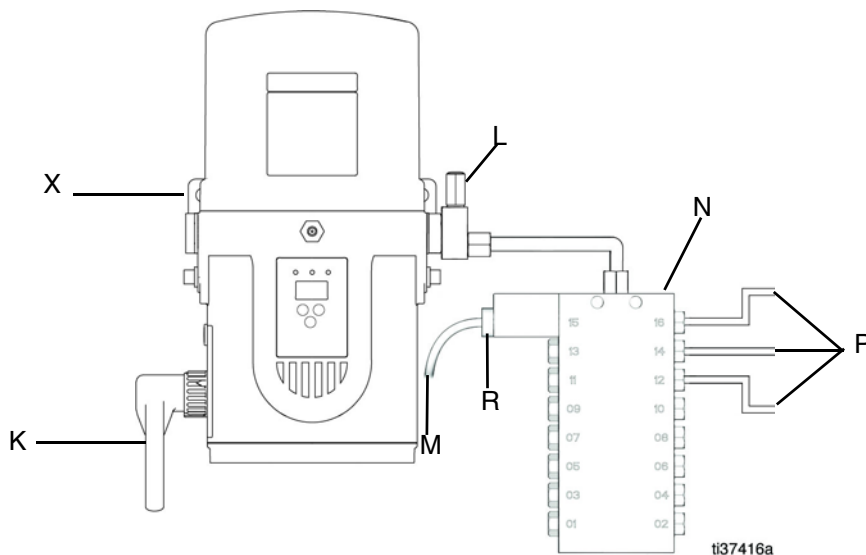


FIG. 2:

## CSP Direct Mount Installation

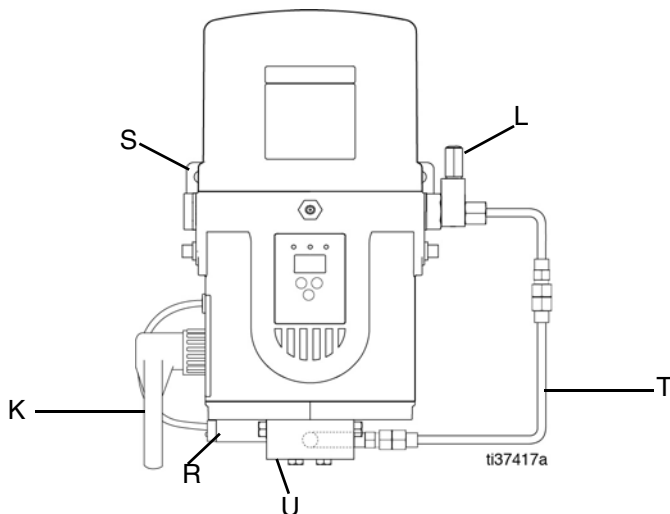


FIG. 3:

- K Connection to fused power source
- L Pressure relief valve (required for each outlet)\*  
See **Pressure Relief Valves**, page 15
- M Proximity switch cable
- N Series progressive divider valves (Divider Installation)
- P Connection to lube points
- R Proximity switch, see page 14
- S Direct Mount CSP Bracket, see page 8
- T Direct Mount CSP Hose, see page 8
- U CSP valves
- X Universal Bracket, see page 8

\*User Supplied

## Choose an Installation Location

<p><b>AUTOMATIC SYSTEM ACTIVATION HAZARD</b></p> <p>Unexpected activation of the system could result in serious injury, including skin injection and amputation.</p> <p>This device has an automatic timer that activates the pump lubrication system when power is connected or when exiting the programming function. Before you install the lubrication pump or remove it from the system, disconnect and isolate all power supplies and relieve all pressure.</p>				

- Select a location that will support the weight of the pump and lubricant, as well as all plumbing and electrical connections.
- Refer to the two mounting hole layouts provided in the Mounting Pattern section of this manual, page 35.
- Use designated mounting holes and provided configurations only.
- Use the two fasteners (included) to secure the pump to the mounting surface.

Some installations may require an additional pump bracket.

### Mounting Bracket Kits

Part No	Description
26C826	Universal Bracket (fastener included)
26C825	Direct Mount CSP Bracket (fastener included)

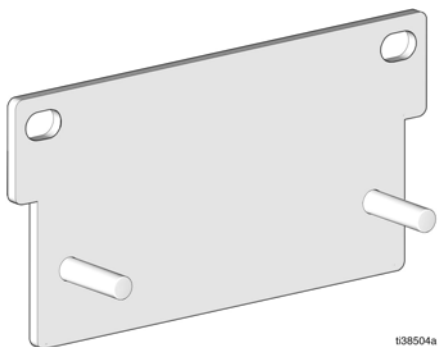


FIG. 4: 26C826

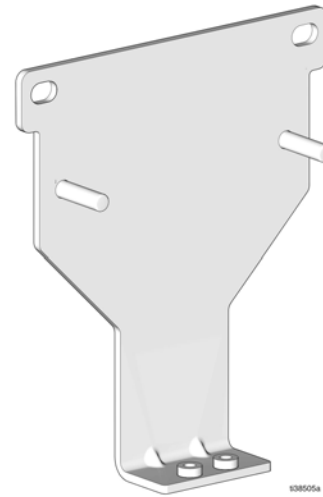


FIG. 5: 26C825

### Direct Mount CSP Hose Kits

Part No	Description
26C956	1/4 NPT (Pressure Relief Outlet) to 1/8 NPT (CSP Inlet), includes hose (25 cm length), fitting 17T781 and 17T783
26C957	1/4 NPT (Pressure Relief Outlet) to 1/8 BSPT (CSP Inlet), includes hose (25 cm length), fitting 17L546 and 17T783

### Direct CSP Mount Kits

Part No	Description
26C958	Kit, CSP Mount, NPT, includes 26C825 and 26C956
26C959	Kit, CSP Mount, BSPT, includes 26C825 and 26C957



## System Configuration and Wiring



All electrical wiring must be done by a qualified electrician and comply with all local codes and regulations.

### Fuses

#### NOTICE

Fuses (user supplied) are required on all DC models. To avoid equipment damage:

- Never operate pump DC models without a fuse installed.
- A fuse of the correct amperage must be installed in line with the power entry to the system.

Fuse kits are available from Graco. The following table identifies the correct fuse to use for the input voltage and the corresponding Graco Kit number.

Fuse Value	Graco Kit No.	Applicable Model
10A	26C916	25R802
		25R803
		25R806
		25R809
		25R810
		25R822
		25R823
		25R826
		25R829
		25R730
5A	26C917	25R800
		25R807
		25R820
		25R827
7.5A	571039	25R801
		25R804
		25R805
		25R808
		25R821
		25R824
		25R825
		25R828

### Recommendations for Pump Usage in Harsh Environments

- Use pump with CPC style power cable.
- Use a corrosion preventative electrical grease on all contacts.

### Wiring and Installation Diagrams

**NOTE:** Wire colors provided on these pages refer only to the Graco power cable.

#### NOTICE

The stirring paddle should rotate clockwise (as viewed from the top) (FIG. 6) when power is applied. Allowing the stirring paddle to rotate counterclockwise damages the pump's internal components.

If the stirring paddle is rotating counterclockwise, stop the pump immediately. Check that the wiring is correct and make any necessary changes.

If the motor does not run after power is supplied, check the pump wiring.

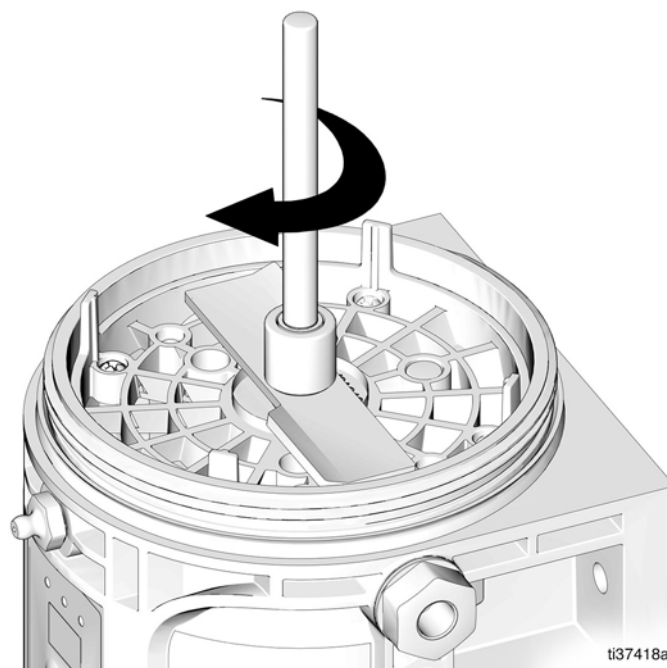
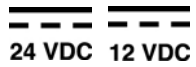


FIG. 6

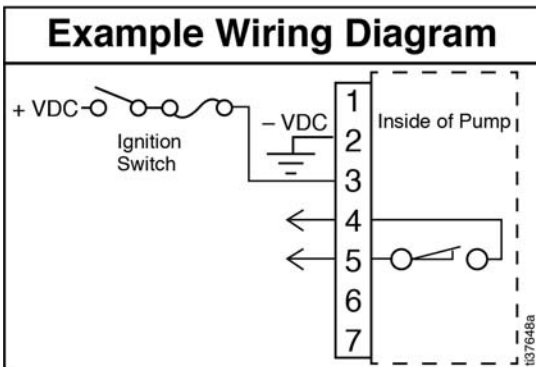
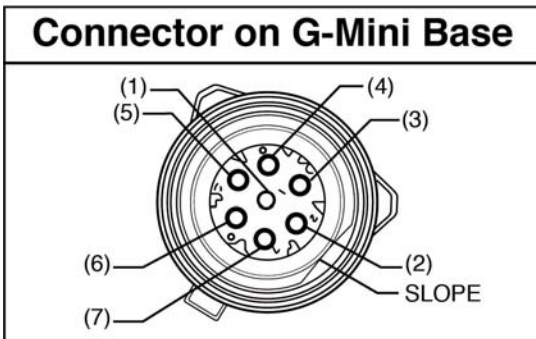
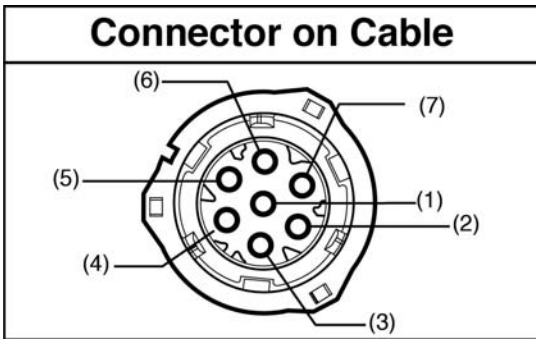
**Power CPC DC - 5 Wire (Non-Controller)**



Power Cable CPC DC  
 Part No.: 127780 - 15 ft. (4.5 m), 127781 - 20 ft. (6.1 m),  
 127782 - 30 ft. (9.1 m)

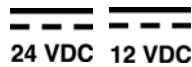
**Pin Out**

1	Not Used	Not Used
2	-VDC	Black
3	+VDC	Red
4	Low-Level	White
5	Low-Level	Orange
6	Not Used	Not Used
7	Not Used	Green



**FIG. 7**

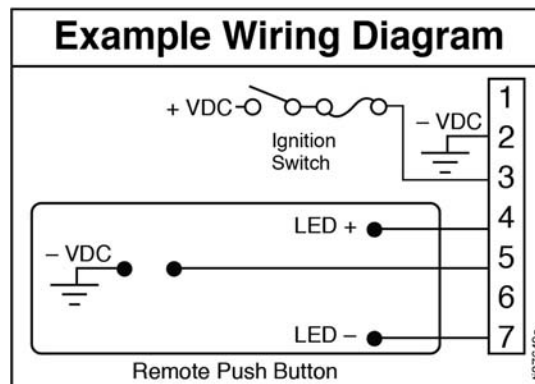
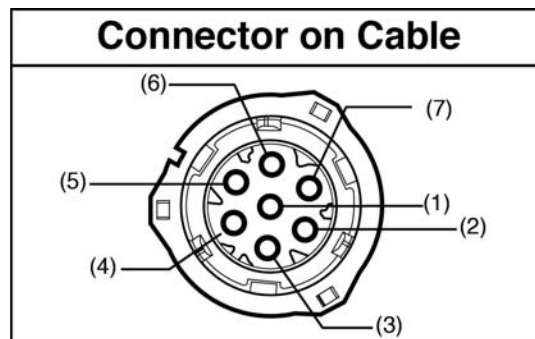
**Power CPC DC - 5 Wire (Controller)**



Power Cable CPC DC  
 Part No.: 127780 - 15 ft. (4.5 m), 127781 - 20 ft. (6.1 m),  
 127782 - 30 ft. (9.1 m)

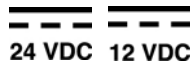
**Pin Out**

1	Not Used	Not Used
2	-VDC	Black
3	+VDC	Red
4	LED+	White
5	Button	Orange
6	Not Used	Not Used
7	LED-	Green



**FIG. 8**

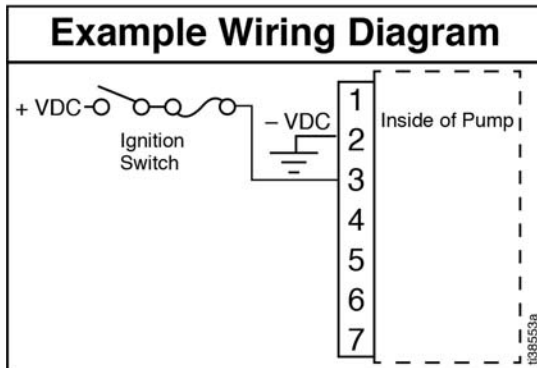
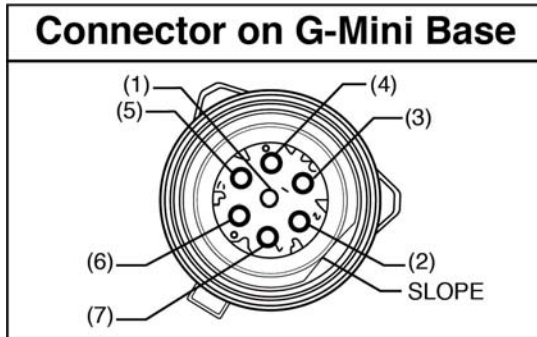
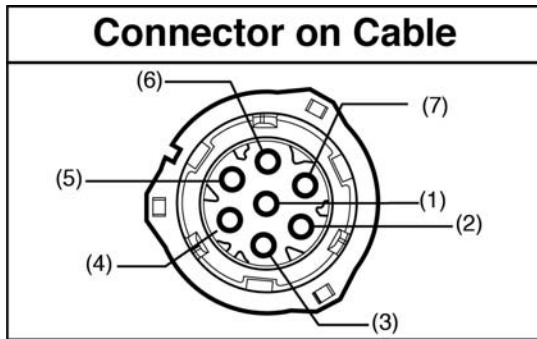
**Power CPC DC - 3 Wire (Non-Controller)**



Power Cable CPC DC  
 Part No.: 127783 - 15 ft. (4.5 m)

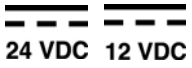
**Pin Out**

1	Not Used	Not Used
2	-VDC	Black
3	+VDC	White
4	Not Used	Not Used
5	Not Used	Not Used
6	Not Used	Not Used
7	Not Used	Not Used



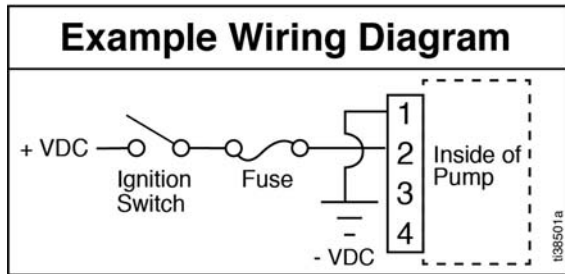
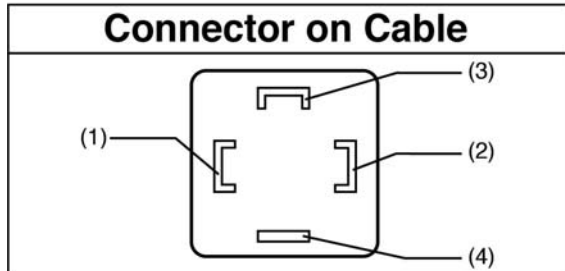
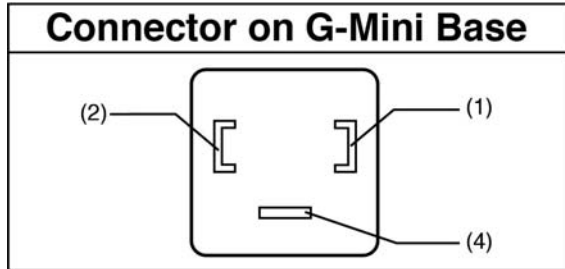
**FIG. 9**

**Power DIN DC - 15 ft Power Cable: Part No, 16U790**



**Pin Out**

1	-VDC	Black
2	+VDC	White
3	Not Used	Not Used
4	Not Used	Green



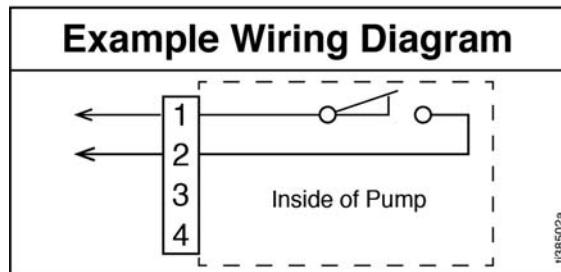
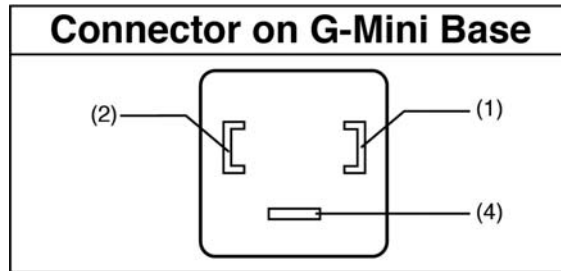
**FIG. 10**

**Low Level DIN DC**

See **Technical Specifications**, page 36 for ratings

**Pin Out**

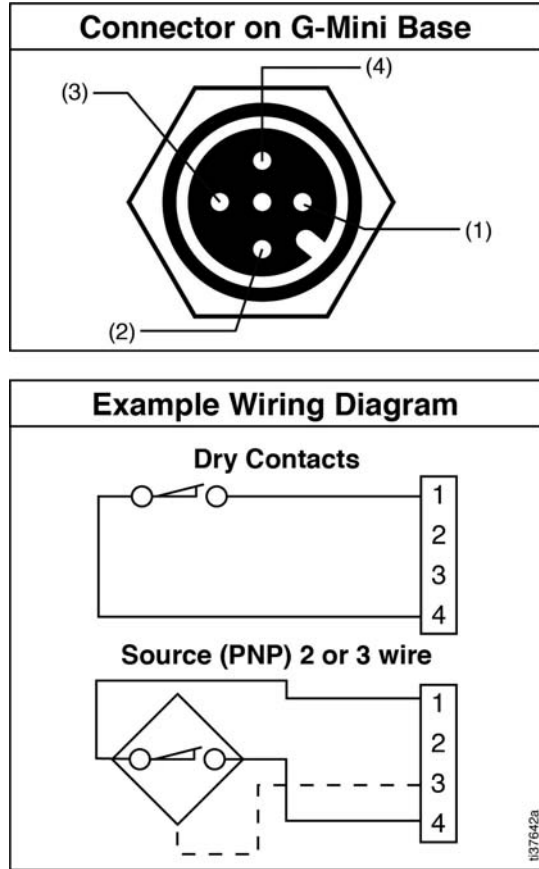
1	LL N.O.
2	LL Com
3	Not Used
4	Not Used



**FIG. 11**

**Divider Valve Indicator Cycle Inputs (M12)**

See **Technical Specifications**, page 36 for ratings.

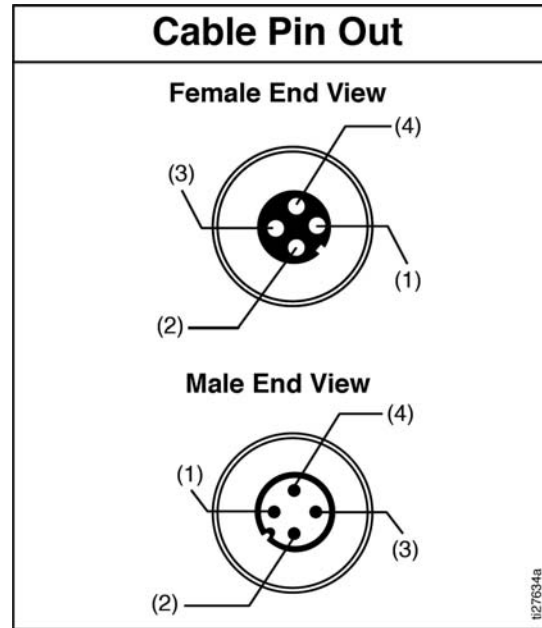


**FIG. 12**

**Part No. 124333: Cable Pin Out (M12) for 5 m Cable**

**Wire Colors (FIG. 13)**

Item No.	Color
1	Brown
2	White
3	Blue
4	Black



**FIG. 13**

## Manual Run Button

Part No.	Description
25C981	Manual Run Button, 12V
25C982	Manual Run Button, 24V

### Manual Run Button DIN DC

See **Technical Specifications**, page 36 for ratings

### Pin Out

1	LED-
2	LED +
3	Button
4	Not Used

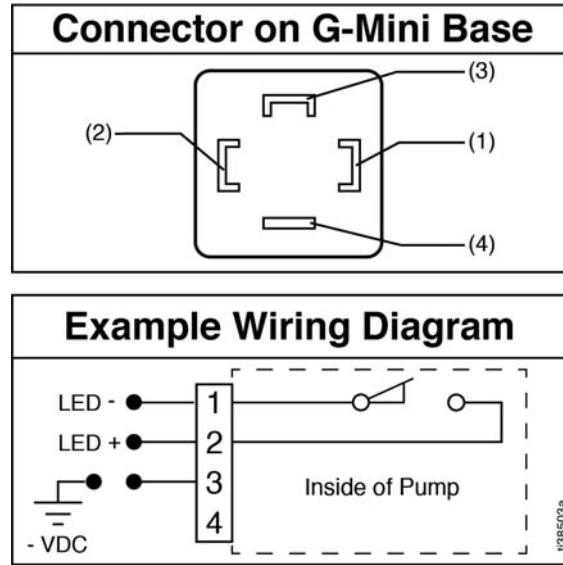


FIG. 14

## Proximity Switch

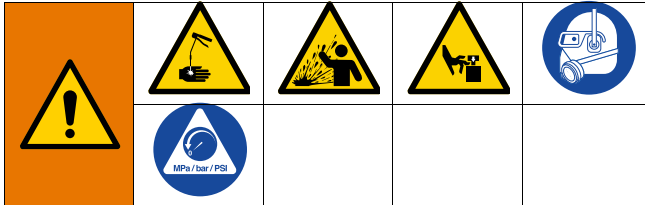
NOTE: Reference ILE buyer's guide for appropriate PNP proximity switches and cables.

# Setup

## Pressure Relief Procedure



Follow the Pressure Relief Procedure whenever you see this symbol.



This equipment stays pressurized until pressure is manually relieved. To help prevent serious injury from pressurized fluid, such as skin injection, splashing fluid and moving parts, follow the Pressure Relief Procedure when you stop dispensing and before cleaning, checking, or servicing the equipment.

Disconnect and isolate all power supplies.

Relieve pressure in the system using two wrenches working in opposite directions on the pump element and pump element fitting to slowly loosen fitting only until the fitting is loose and no lubricant or air is leaking from fitting.

**NOTE:** When loosening the pump element fitting, do not loosen the pump element. Loosening the pump element changes the output volume.

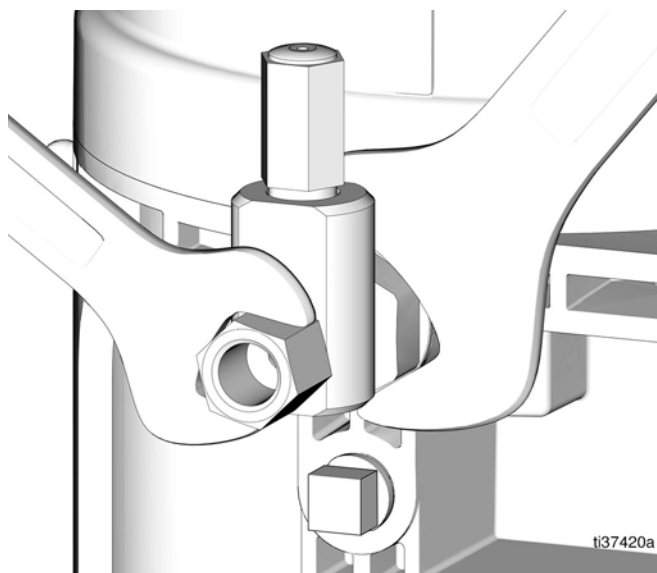


FIG. 15

## Connect to Auxiliary Fittings



### NOTICE

Do not attach unsupported equipment to auxiliary fittings such as fill ports and pump element. Attaching unsupported equipment to these fittings can result in irreparable housing damage.

- Always use two wrenches working in opposite directions when connecting anything to pump element or auxiliary fittings. See FIG. 15 for an example.
- Torque pump element fittings to 50 in-lb (5.6 N•m).
- Torque pump element to 65 in-lb (7.3 N•m) when connecting to the housing.

## Pressure Relief Valves



To prevent over-pressurization, which can result in equipment rupture and serious injury, a pressure relief valve appropriate for the lubrication system must be installed close to each pump outlet to alleviate unintended pressure rises in the system and protect the pump from damage.

- Only use a pressure relief valve that is rated for no more than the working pressure of any component installed in the system.
- Install a pressure relief valve before any auxiliary fitting.

**NOTE:** A pressure relief valve may be purchased from Graco. See **Pressure Relief Valves**, page 15.

## Pressure Relief Valves

Part No.	Description
571028	Kit, Adj. Pressure Relief

## Set Pump Outlet Volume



1. Follow the **Pressure Relief Procedure**, page 15.
2. Use a wrench and turn the pump element counter-clockwise to remove the entire pump element.

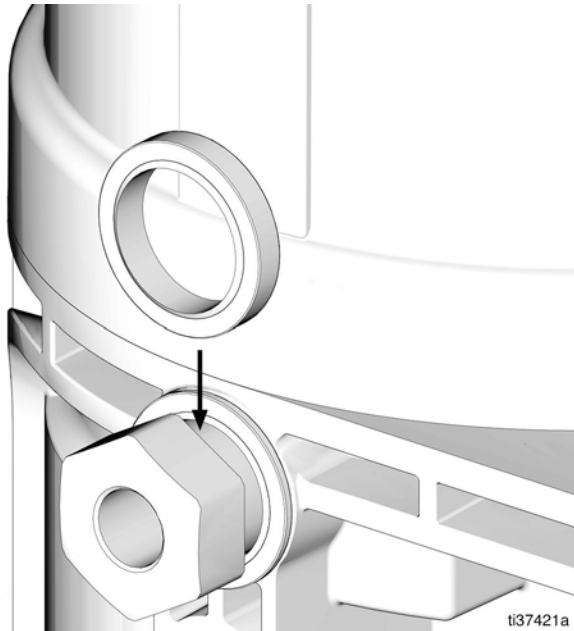


Fig. 16

3. Replace the current spacer with the desired spacer.

Spacers	Thickness	Output Volume/Minute	
	mm	Cubic In.	Cubic cm
25N814	1.5	0.183	3.0
18A317	4.6	0.0915	1.5

**NOTE:** A spacer is required for operation. Only one Graco spacer can be used at a time. The pumps from the factory have a spacer (25N814) installed on the pump element. **Pump Element Kits** (page 30) come with a spacer. The spacer may be replaced depending upon the required output volume.

4. Re-install the pump element into the pump base, ensuring that the first thread of the element engages correctly.

**NOTE:** It may be necessary to repeat the pump outlet volume setup procedure after the pump is operating to adjust the volume of the dispensed fluids.

5. Use a wrench and tighten the pump element fitting. Torque to 50 in-lb (5.6 N•m).

**NOTE:**

- The dispensed volume amount varies depending upon external conditions, such as lubricant temperature and back pressure from downstream connections.
- Use the volume adjustment process in conjunction with setting the ON time of the pump to control the output volume.
- The volume adjustment process should be used as a starting point for dispensing the desired lubrication volume.

## Load Grease

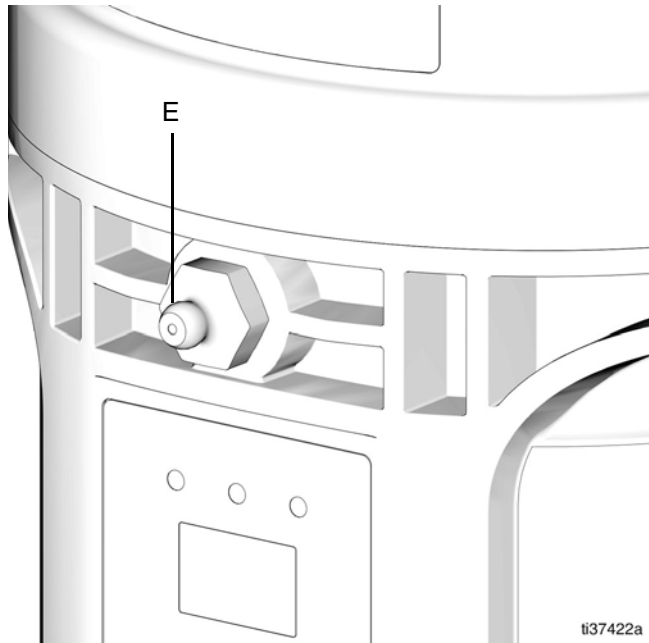
To ensure optimal performance from the pump:

- Use only NLGI #000 - #2 greases appropriate for the application, automatic dispensing, and the equipment’s operating temperature. Consult with the machine and lubrication manufacturers for details.
- Fill the reservoir using a hand operated pump, pneumatic pump or electric transfer pump.
- Do not overfill.
- Do not operate the pump without having a reservoir attached.

<b>NOTICE</b>	
<ul style="list-style-type: none"> <li>• Always clean fitting (E) with a clean dry cloth prior to filling the reservoir. Dirt and/or debris can damage pump and/or lubrication system.</li> <li>• Use care when filling the reservoir using a pneumatic or electric transfer pump to avoid pressurizing and breaking the reservoir.</li> </ul>	



1. Connect the fill hose to the Zerk Inlet Fill Fitting (E) (FIG. 17).



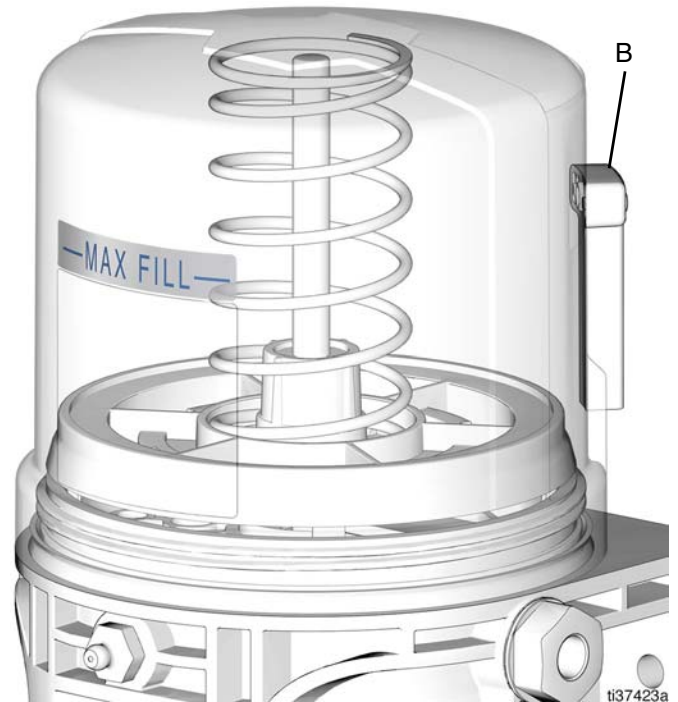
**FIG. 17**

2. For higher viscosity fluids, start the pump, per the controller instructions, to rotate the stirring paddle during filling to prevent air pockets from forming in the grease.

For models using an external controller, start the pump operation following the controller instructions.

3. Fill the reservoir with NLGI grease to the MAX line (FIG. 18).

**NOTE:** The venting tube (B) should not be used as an overfill indicator (FIG. 18).



**FIG. 18**

4. Remove the fill hose.

### Change Greases

Always use compatible grease when changing grease.

## Priming

It is not necessary to prime the pump every time the pump is filled. The pump only requires priming the first time it is used, or if it is allowed to run dry.

1. Loosen the pump element fitting (FIG. 19).

**NOTE:** When loosening the pump element fitting, do not loosen the pump element. Loosening the pump element changes the output volume and causes leakage.

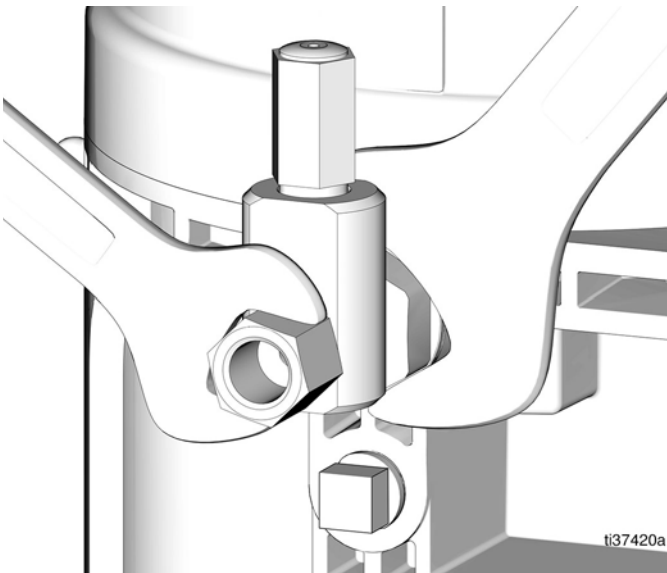


FIG. 19

2. Only run the pump until air is no longer dispensed with the lubricant out of element fitting (FIG. 20).

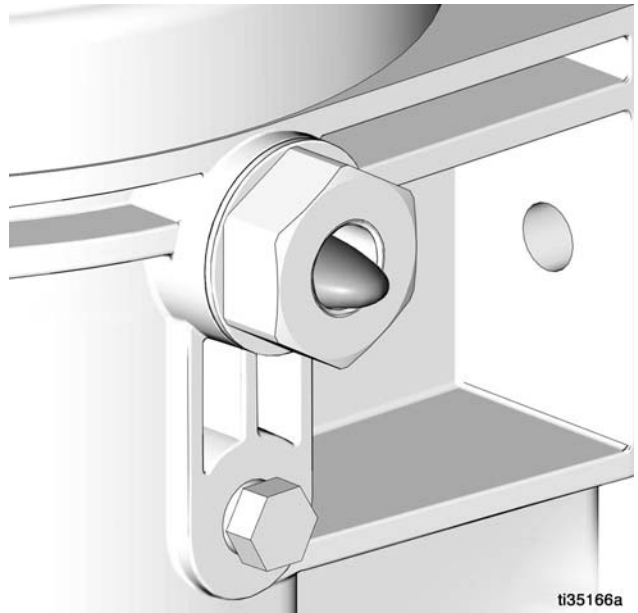


FIG. 20

3. Tighten the pump element fitting using two wrenches working in opposite directions (FIG. 21).

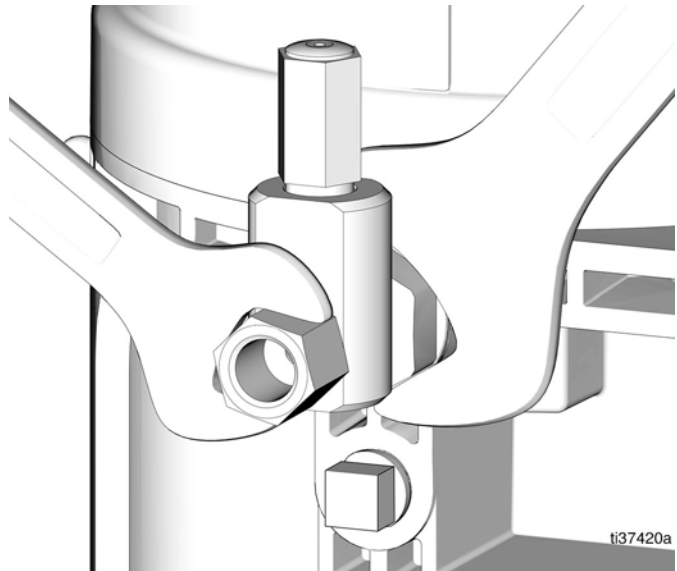


FIG. 21

# Non Controller Operation

The pump can be controlled using an external, user supplied, controller.

## NOTE:

- When using an external controller, Pump ON (Run) Time should be set for no longer than 30 minutes.
- In most cases, Pump OFF (Rest) Time should be twice as long as Pump ON (Run) time. If alternative ON / OFF times are required, contact Graco Customer Service for assistance.

## Low-Level Output Option

### Models 25R800, 25R802, 25R807 and 25R809

Pumps without controllers include a Low-Level Output Option. The low-level signal is monitored across PINS 4 and 5. For the locations and wiring information for PINS 4 and 5, see the **Wiring and Installation Diagrams**, page 9.

### Model 25R820, 25R822, 25R827 and 25R829

See the **Wiring and Installation Diagrams**, page 9.

### Typical Low-Level Output Response with Low-Level Fluid

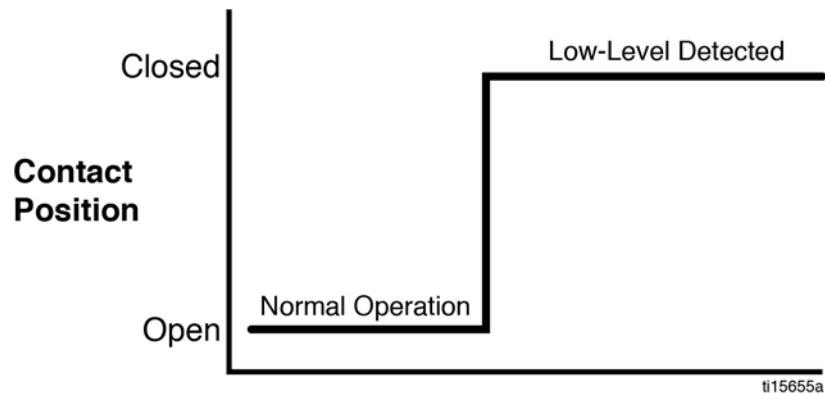


FIG. 22

# Controller Operation

## Control Panel Overview (FIG. 23)

### ON TIME

- In SETUP MODE, the LED illuminates when ON TIME duration or cycles are set up.
- A dot illuminates under MM on the display.
- The ON TIME range is 1 to 30 minutes, or 1 to 99 cycles.
- In RUN MODE, the LED illuminates during the ON TIME sequence.

### OFF TIME

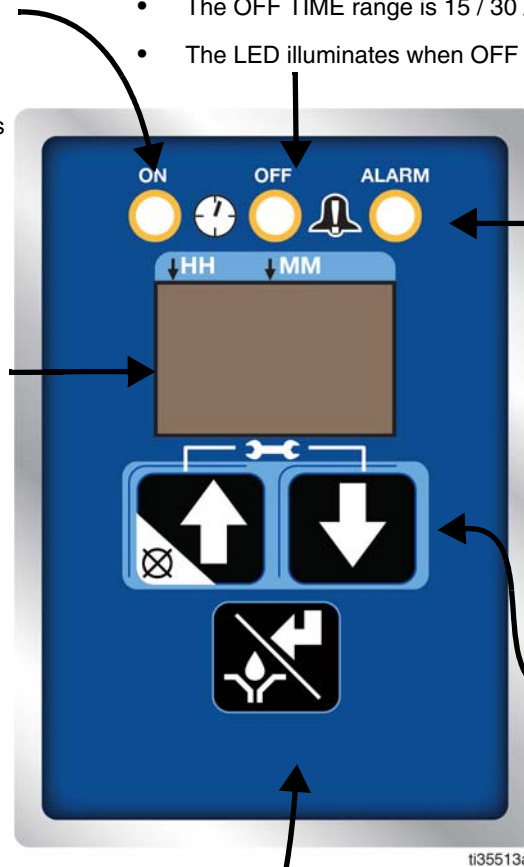
- In SETUP MODE, the LED illuminates when OFF TIME duration is set up.
- A dot illuminates under HH on the display.
- The OFF TIME range is 15 / 30 / 45 min or 1 to 99 hours.
- The LED illuminates when OFF TIME sequence is running.

### ALARM

The LED illuminates when an alert / alarm event occurs. Most alerts/alarms occur during ON TIME MODE. However, if a Low-Level alert triggers near the end of an ON TIME cycle, the alert will display while the controller is in OFF TIME MODE. A software error occurring when the controller is operating in the OFF TIME MODE will also activate the alarm LED.

### DISPLAY

- Upon entering SETUP MODE, the first digit in the display begins to blink.
- In RUN MODE, the programmed ON TIME, CYCLES or OFF TIME displays and counts down to zero.



### UP and DOWN ARROWS

- Hold both the UP and DOWN arrow buttons together for 3 seconds to enter SETUP MODE.
- In SETUP MODE, the UP and DOWN arrows increase or decrease time and cycle setting values shown on the display.
- In RUN TIME MODE, pressing the UP arrow/CANCEL button terminates the lubrication period.

### MANUAL RUN / ENTER



- In SETUP MODE, press this button to save the entry, move the cursor in the display one field to the right or to the next setup step.
- In RUN MODE, press this button to start a manual run cycle.

FIG. 23

The controller operates in two modes; RUN MODE and SETUP MODE. Each mode has multiple functions.

## RUN MODE

RUN MODE performs two functions while monitoring Alert/Alarm conditions: ON TIME and OFF TIME.

- In ON TIME the motor is running and the lubrication is delivered. ON TIME can be configured to be active for a period of time in minutes or a period of lube cycles (cycle or proximity switch is required). 
- In OFF TIME the motor is not running. This is a period where no lubrication is delivered. OFF TIME can be configured for 15 / 30 / 45 min. or 1 to 99 hours. 

By default, units with controllers are set to operate with an ON TIME period of five (5) minutes and an OFF TIME period of one (1) hour.

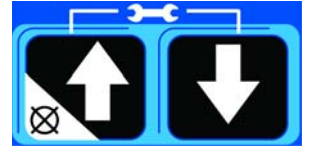
Once an ON TIME lubrication period begins, it can be terminated by pressing the UP arrow/CANCEL button.



While in RUN MODE the controller monitors Alert/Alarm conditions. See **Alert and Alarm Scenarios**, page 27 for full descriptions.

## SETUP MODE

Press both the UP and DOWN arrow buttons together for 3 seconds to enter SETUP MODE.



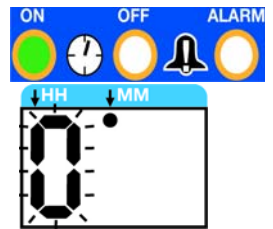
The first digit on the display begins to blink. This indicates SETUP MODE. After entering SETUP Mode, if no activity is detected, after 60 seconds a timeout occurs and the controller resumes in RUN MODE.

### ON TIME Configuration (Minutes)

The first configuration in SETUP MODE is programming the ON TIME.

Notice the following on the controller:

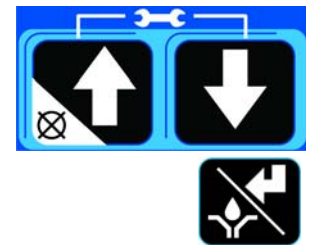
- The LED next to the Clock in the ON field illuminates.
- The first digit on the display begins to blink.
- A dot on the display under the MM illuminates.



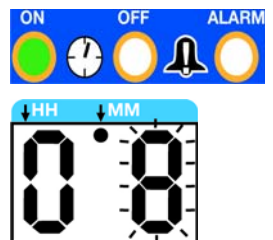
This confirms that the controller is ready for the first digit to be configured for ON TIME in Minutes (MM).

**NOTE:** The ON TIME can be configured between 1 to 30 minutes.

- Press the UP or DOWN arrows to select the first digit.
- Press the ENTER button to save the selection.

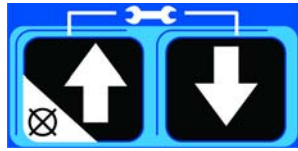


After the ENTER button is pressed, the second digit begins to blink. The ON LED and MM dot remains lighted.



This confirms that the second digit for ON TIME is being configured in Minutes (MM).

3. Press the UP or DOWN arrows to select the second digit.



4. Press the ENTER button to save the selection.



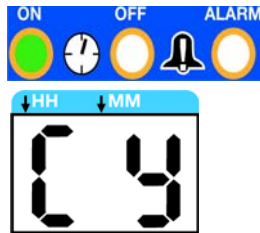
The controller automatically switches to OFF TIME configuration.

### ON TIME Configuration (Cycles)

**NOTE:** The proximity switch accessory must be installed and Cycle Count enabled in Advanced Programming (page 23) before the number of cycles can be configured in SETUP MODE.

Notice the following on the controller:

- The LED next to the Clock in the ON field illuminates
- The display reads "CY" to identify that the ON TIME is configured for Cycles Counts.



**NOTE:** The number of cycles counts can range from 1 to 99.

1. Press the ENTER button to advance the display.



The first digit on the display begins to blink. This confirms that the controller is ready for the cycle count to be configured.



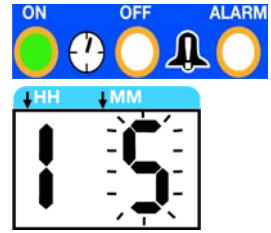
2. Press the UP or DOWN arrows to select the first digit.



3. Press the ENTER button to save the selection.



After the ENTER button is pressed, the second digit begins to blink. The ON LED remains lighted.



This confirms that the second digit for ON TIME is being configured in Minutes (MM).

4. Press the UP or DOWN arrows to select the second digit.



5. Press the ENTER button to save the selection.

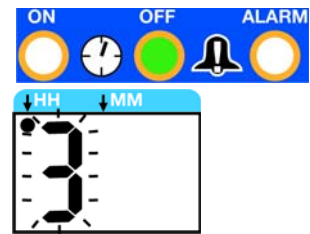


The controller automatically switches to OFF TIME configuration.

### OFF TIME Configuration (Min./Hrs)

Notice the following on the controller:

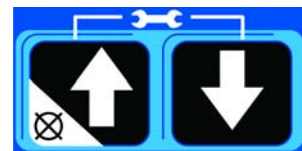
- The LED next to the Clock in the OFF field is lighted.
- The first digit on the display begins to blink.
- A dot on the display under the HH illuminates.



This confirms that the controller is ready for the first digit to be configured for OFF TIME in Hours (HH).

**NOTE:** The OFF TIME must be configured between 15 min, and 99 hours.

1. Press the UP or Down arrows to select the first digit.



2. Press the ENTER button to save the selection.

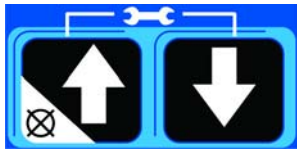


After the ENTER button is pressed, the second digit begins to blink. The OFF LED and HH dot remain lighted.



This confirms that the second digit for OFF TIME is being configured in Hours (HH).

3. Press the UP or DOWN arrows to select the second digit.



4. Press the ENTER button to save the selection.



The controller automatically switches to RUN MODE.

## ADVANCED PROGRAMMING

The Seven Advanced Programming Menu Descriptions are:

- A1 - PIN Entry Enable/Setting Up the PIN Code, page 23
- A2 - Prelube and Delay, page 25
- A3 - Low-Level Alert Duration, page 25
- A4 - Missed Cycle Threshold, page 25
- A5 - Low-Level Power Cycle Retry, page 25
- A6 - Low-Level Alert Enable, page 25
- A7 - Cycle Count Enable, page 25

To access ADVANCED PROGRAMMING:

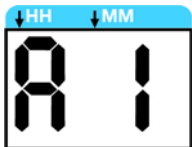
1. Press both the UP and DOWN arrow buttons for 3 seconds to enter SETUP MODE.



2. In SETUP MODE, press and hold the UP arrow for 10 seconds.



The display reads A1. This confirms that the controller is in the ADVANCED PROGRAMMING settings.

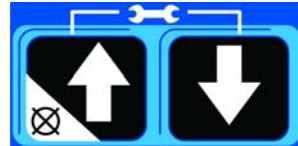


After entering ADVANCED PROGRAMMING, if no activity is detected for 60 seconds, a timeout occurs and the controller resumes RUN MODE.

Press the ENTER button to advance to the configurable portion of the specific settings.



1. Press the UP or DOWN arrows to configure the selection.



For ON or OFF selection:

- ON: UP arrow
- OFF: DOWN arrow

2. After completing configuration, press the ENTER button to save and proceed to the next ADVANCED PROGRAMMING settings.



After all of the ADVANCED PROGRAMMING settings are configured, press the ENTER button to return the controller to RUN MODE.

## Advanced Programming Menu Descriptions

### A1 – PIN Entry Enable/Setting Up the PIN Code

A PIN Code provides additional controller security by requiring that a PIN Code be entered before gaining access to SETUP MODE.

**NOTE:** The PIN Code can be configured to be any number between (and including) 00 and 99.

#### To set up the PIN Code:

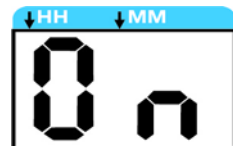
1. Follow Steps 1 and 2 of **ADVANCED PROGRAMMING**, (page 23).

2. When A1 appears on the display, press the ENTER button. Either On (PIN Code ON) or OF (PIN Code OFF) displays.



• On (ON) - Select On to configure the controller to require that a PIN Code be entered prior to accessing SET UP Mode.

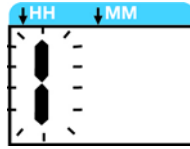
-



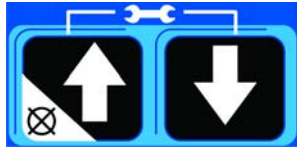
- OF (OFF) - Select OF to configure the controller to not require a PIN code. Press the ENTER button again to set the OF (OFF) option.



- The first digit on the display begins to blink. This confirms that the controller is ready to select the first number of the PIN Code.



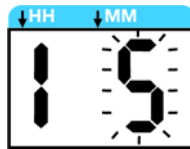
- Press the UP or Down arrows to select the first digit.



- Press the ENTER button to save the selection.

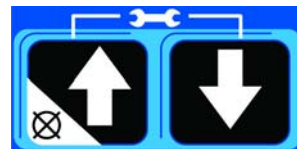


After the ENTER button is pressed, the second digit begins to blink.



This confirms that the second digit for the PIN Code is ready to be configured.

- Press the UP or Down arrows to select the second digit.



- Press the ENTER button to save the selection.



- The controller automatically advances to the A2 screen.

### Entering a PIN Code in the Controller

After the controller is configured for PIN entry, to access SETUP MODE:

- Follow Steps 1 and 2 of **ADVANCED PROGRAMMING**, (page 23).

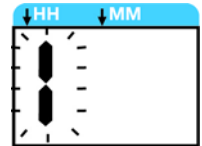
- Pn appears on the display.



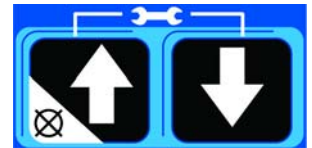
- Press the ENTER button to advance the display.



- The first digit on the display begins to blink. This confirms that the controller is ready for the first number of the PIN Code to be entered.



- Press the UP or Down arrows until the first digit of the PIN Code displays.



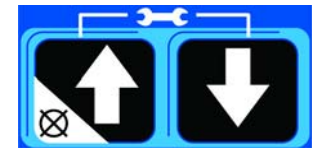
- Press the ENTER button to save the entry.



- After pressing the ENTER button, the second digit begins to blink. This confirms that the controller is ready for the second number of the PIN Code to be entered.



- Press the UP or Down arrows until the second digit of the PIN Code displays.



- Press the ENTER button to save the entry.



- The ON TIME configuration screen displays. See **SETUP MODE, ON TIME Configuration (Minutes)**, page 21 for additional information.



## A2 – Prelube and Delay

The Prelube Delay option configures the controller to set the amount of time before the Prelube cycle begins. The duration of time begins after power has been restored to the controller. This value can range from 0 to 60 minutes (default: 0).

The Prelube function determines operation of the pump when power is applied. It can be set to ON or OFF.

- OF (OFF) (default) – The unit resumes at the point in the lubrication cycle it was at when power was disengaged.
- On (ON) – The unit begins a pump cycle once power is restored.

When On is selected and the Enter button is pressed, the controller is ready for a Prelube delay to be configured. See **ADVANCED PROGRAMMING** instructions, page 23.

## A3 – Low-Level Alert Duration

The Low-Level Alert Time configures the controller to set the duration of time that a Low-Level Alert exists with the pump running before escalating to an Alarm.

The Low-Level Alert Time can range from 1 to 5 minutes (default: 3). To configure the Low-Level Alert Time, see **ADVANCED PROGRAMMING** instructions, page 23.

## A4 – Missed Cycle Threshold

While operating in Cycle Mode, the Cycle Alarm Threshold configures the controller to set the number of consecutively missed Cycles allowed before activating an alarm.

The Cycle Alarm Threshold can range from 0-99 cycles (default:0). To configure the Cycle Alarm Threshold, see **ADVANCED PROGRAMMING** instructions, page 23.

## A5 – Low-Level Power Cycle Retry

When set to ON, the Low-Level Auto Clear feature allows the controller to attempt to automatically clear a Low-Level Alarm during the power cycle. This feature is only used when a controller has the power removed while in a Low-Level Alarm state.

The Low-Level Auto Clear is an OF (OFF) or On (ON) selection.

- OF (OFF) (default) – Upon power cycle, the controller will remain in its current Low-Level Alarm state.
- On (ON) – Upon power cycle, the controller will begin a lubrication cycle to determine if a Low-Level condition still exists.

See **ADVANCED PROGRAMMING** instructions, page 23.

## A6 – Low-Level Alert Enable

The Low-Level Warning Enable feature configures the controller to trigger a Low-Level Alert prior to the escalation of an Alarm.

The Low-Level Warning Enable is an OF (OFF) or On (ON) selection.

- OF (OFF) (default) – Low-Level conditions are immediately escalated to Alarm status.
- On (ON) – Low-Level conditions are first reported as an Alert for the duration of setting A3, at which point they escalate to an Alarm.

See **ADVANCED PROGRAMMING** instructions, page 23.

## A7 – Cycle Count Enable

The Cycle Lubrication Enable feature configures the controller to use Cycle Counts to monitor the duration of a lubrication period and enables the M12 Cycle Indicator Connector.

The Cycle Lubrication Enable is an OF (OFF) or On (ON) selection.

- OF (OFF) (default) – The lubrication period will be monitored in minutes.
- On (ON) – The lubrication period is monitored in cycles. This requires the addition of a proximity switch. The number of cycles must also be configured in SET UP mode (page 21).

See **ADVANCED PROGRAMMING** instructions, page 23.

# Alerts and Alarms

The controller monitors and displays two types of events: Alerts and Alarms.

## Alerts

Alerts do not cause the lubrication cycle to stop. These events are automatically cleared based upon the alert received.

An amber LED illuminates under ALARM on the display when an Alert occurs. See **Alert and Alarm Scenarios** on page 27 for a description of Alerts that could occur.



## Alarms

Alarms cause the lubrication cycle to stop. Alarms can trigger immediately or can be the result of an escalated Alert. Alarms must be cleared immediately.

A red LED illuminates under ALARM on the display when an Alarm occurs. See the **Alert**



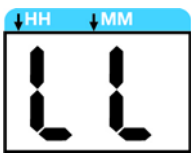



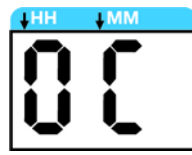

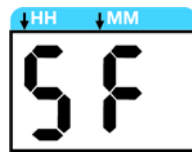
**and Alarm Scenarios** table on page 27 for a description of Alarms that could occur.

When an Alarm is triggered, any active lubrication cycle will be terminated. The display begins to count up to identify how long the Alarm condition has been present. The counter begins in minutes, then changes to hours, with a limit of 99 hours.

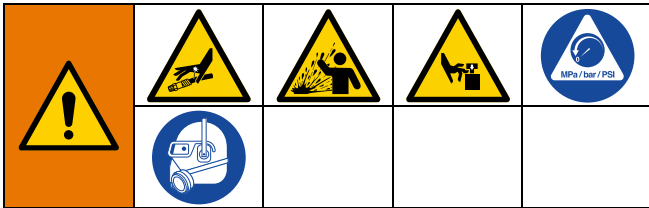
See **ADVANCED PROGRAMMING**, page 23 for additional information about configuring the controller for Alerts and Alarms.

## Alert and Alarm Scenarios

The following pages describe the most likely alerts and alarms:

Alarm Type	Display	What it Indicates	Solution
Low-Level		There is a low-level of lubricant in the reservoir	<p>Add lubricant to reservoir.</p> <p>An alert will auto-clear.</p> <p>An alarm must be reset by pressing and holding the Cancel Button for 4 seconds.</p> 
Cycle		The cycle was not completed in 4 minutes.	<p>Check for a plugged or broken line, or other component failure such as a divider valve.</p> <p>An alert will auto-clear.</p> <p>An alarm must be reset by pressing and holding the Cancel Button for 4 seconds.</p> 
Over Current		<p>The measured motor current is above the maximum operating level.</p> <p>The motor turns off and a new lube cycle is not allowed to be initiated.</p>	<p>Check to make sure that the system is operating correctly. A blocked line could create excessive motor current.</p> <p>Examine the pump to verify it is rotating properly.</p> <p>An alarm must be reset by pressing and holding the Cancel Button for 4 seconds.</p> 
System Fault		<p>An internal fault has occurred.</p> <p>The controller may not be recoverable from this state.</p>	<p>Attempt a power cycle of the device.</p> <p>If the alarm does not clear, contact Graco Customer Service.</p>

# Troubleshooting




1. Follow **Pressure Relief Procedure**, page 15, before checking or repairing.

Problem	Cause	Solution
Unit does not power on.	Incorrect/loose wiring	Refer to <b>Installation</b> instructions, page 6.
	Tripped external fuse due to internal component failure.	Contact Graco Customer Service.
	Tripped external fuse from using grease with an inadequate temperature rating in a cold environment.	Replace lubricant with a lubricant rated for environmental conditions and application. Replace fuse.
Lubricant leaks past the seal located on the bottom of the reservoir.	Seal was not installed correctly.	Replace seal.
	Reservoir is being pressurized during filling.	Ensure that the vent tube is not plugged.  If the problem persists, contact Graco Customer Service or your local Graco distributor for assistance.
The external controller is functioning, but the unit is not pumping during the ON cycle.	Motor failure.	Replace the motor.
The follower plate is not moving downward.	Air is trapped in the reservoir between the follower plate and the lubricant.	Add grease following the <b>Load Grease</b> instructions, page 16. Purge any air from the reservoir.
After wiring and installing the equipment, the pump is not working.	The pump is wired incorrectly.	Rewire the pump following <b>Wiring and Installation Diagrams</b> , page 9.

# Maintenance

<b>Frequency</b>	<b>Component</b>	<b>Required Maintenance</b>
Daily and at Refill	Fill Fittings	Keep all of the fittings clean using a clean dry cloth. Dirt and/or debris can damage the pump and/or the lubrication system.
Daily	Pump Unit and Reservoir	Keep pump unit and reservoir clean using a clean dry cloth.
Monthly	External Wiring Harness	Verify external harnesses are secure.

# Repair

				
All electrical wiring must be done by a qualified electrician and comply with all local codes and regulations.				

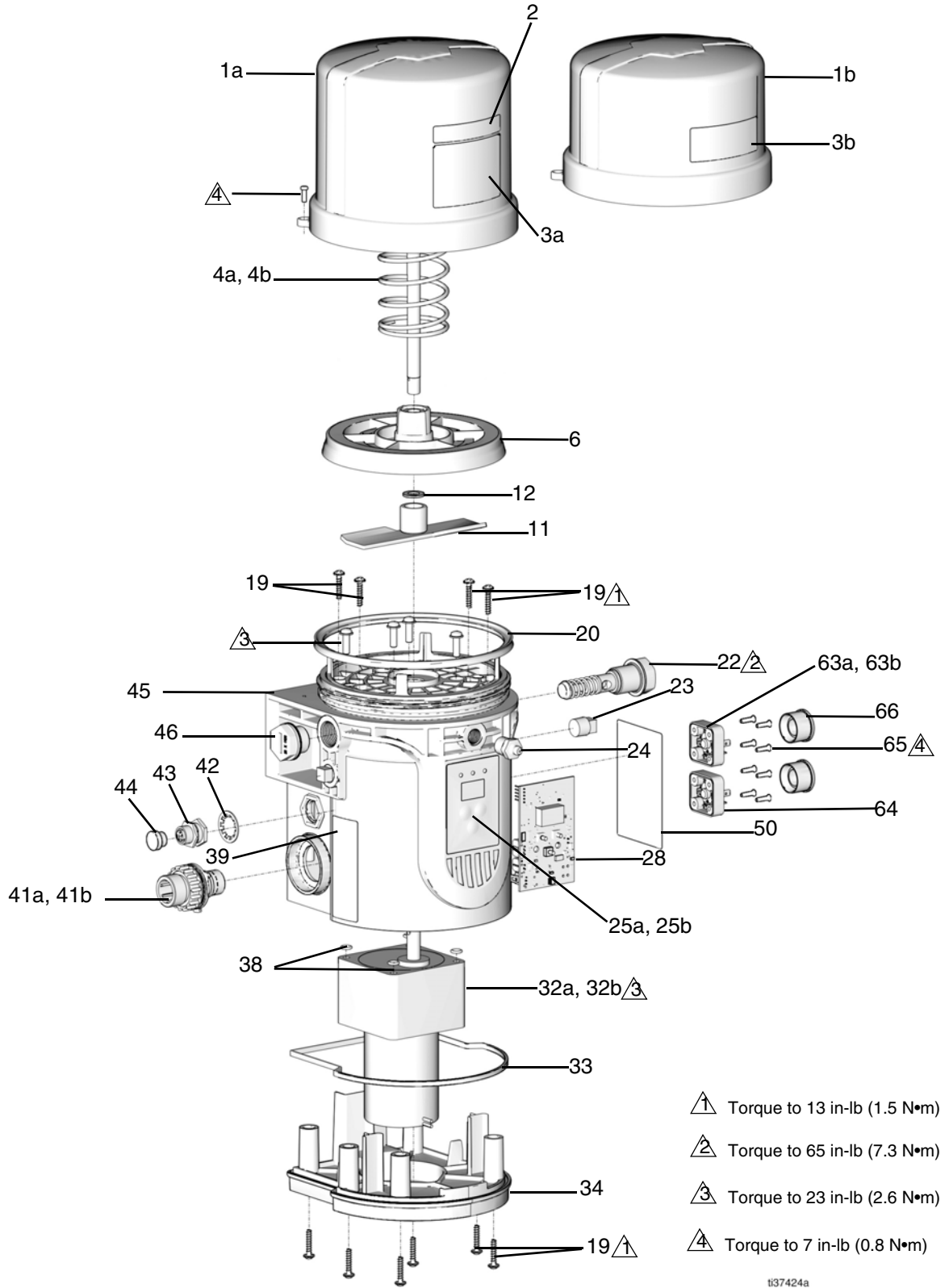
## Reservoir Kits

Kit No.	Description
26C943	Kit Replacement, Reservoir, 1L
26C945	Kit Replacement, Reservoir, 0.5L
26C944	Kit Replacement, Reservoir, Follower Plate, 1L
26C946	Kit Replacement, Reservoir, Follower Plate, 0.5L

## Pump Element Kits

Kit No.	Description
26C947	Standard G-Mini Pump Element; Output: 3 cc/min.
26C948	Alternative G-Mini Pump Element; Output: 1.5 cc/min.

# Parts



## Part No./Description

Ref.	Part	Description	Qty.
1a		Reservoir, 1.0 Liter, included in kits 26C943, 26C944 Model 25R800, 25R801, 25R802, 25R803, 25R804, 25R805, 25R806, 25R820, 25R821, 25R822, 25R823, 25R824, 25R825, 25R826	1
1b		Reservoir, 0.5 Liter, included in kits 26C945, 26C946 Model 25R807, 25R808, 25R809, 25R810, 25R827, 25R828, 25R829, 25R830	1
2		Label, max fill, included in kits 26C943, 26C944 Model 25R800, 25R801, 25R802, 25R803, 25R804, 25R805, 25R806, 25R820, 25R821, 25R822, 25R823, 25R824, 25R825, 25R826	1
3a		Label, branding, 1L, included in kits 26C943, 26C944 Model 25R800, 25R801, 25R802, 25R803, 25R804, 25R805, 25R806, 25R820, 25R821, 25R822, 25R823, 25R824, 25R825, 25R826	1
3b		Label, branding, 0.5 Liter, included in kits 26C945, 26C946 Model 25R807, 25R808, 25R809, 25R810, 25R827, 25R828, 25R829, 25R830	1
4a		Spring, compr., 1.0 Liter Reservoir, included in kit 26C944 Model 25R800, 25R801, 25R802, 25R803, 25R804, 25R805, 25R806, 25R820, 25R821, 25R822, 25R823, 25R824, 25R825, 25R826	1
4b		Spring, compr., 0.5 Liter Reservoir, included in kit 26C946 Model 25R807, 25R808, 25R809, 25R810, 25R827, 25R828, 25R829, 25R830	1
6		Plate, follow, included in kits 26C944, 26C946	1
11		Blade, agitator	1
12		Washer, paddle, ID8/OD16	3
19		Screw, ST4.2	10
20		Seal, Reservoir, included in kits 26C943, 26C944, 26C945, 26C946	1

Ref.	Part	Description	Qty.
		Pump element, assy, included in kits 26C947, 26C948 Model 25R805, 25R825	2
22		Pump element, assy, included in kits 26C947, 26C948 Model 25R800, 25R801, 25R802, 25R803, 25R804, 25R806, 25R807, 25R808, 25R809, 25R810, 25R820, 25R821, 25R822, 25R823, 25R824, 25R825, 25R826, 25R827, 25R828, 25R829, 25R830	1
23	100721	Plug, 1/4 npt, HEX socket	2
24	555888	Nipple	1
25a		Label, overlay, BLK Model 25R800, 25R802, 25R807, 25R809, 25R820, 25R822, 25R827, 25R829	1
25b		Label, overlay, controller version Model 25R801, 25R803, 25R804, 25R805, 25R806, 25R808, 25R810, 25R821, 25R823, 25R824, 25R825, 25R826, 25R828, 25R830	1
28		PCB, Board, assy, Compact Pump	1
32a		Motor, 24VDC	1
32b		Motor, 12VDC	1
33		Seal, bottom cover	1
34		Cover, bottom	1
38	111139	O-ring	4
39		Label, Series	1
41a		CPC connector, Power and Low Level Model 25R800, 25R802, 25R807, 25R809	1
41b		CPC connector, Power and Manual Run Button Model 25R801, 25R803, 25R804, 25R905, 25R806, 25R808, 25R810	1
42		Washer, lock, M12 Model 25R801, 25R803, 25R804, 25R805, 25R806, 25R808, 25R810, 25R821, 25R823, 25R824, 25R825, 25R826, 25R826, 25R830	1
43		M12 connector, cycle feedback input Model 25R801, 25R803, 25R804, 25R805, 25R806, 25R808, 25R810, 25R821, 25R823, 25R824, 25R825, 25R826, 25R828, 25R830	1
44		Plug, M12 Model 25R801, 25R803, 25R804, 25R805, 25R806, 25R808, 25R810, 25R821, 25R823, 25R824, 25R825, 25R826, 25R828, 25R830	1
45		Base, Pump	1

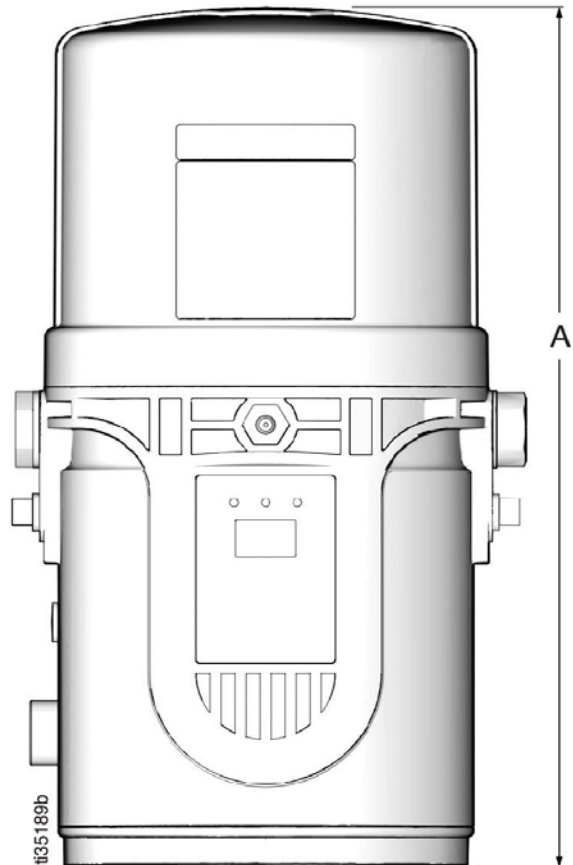
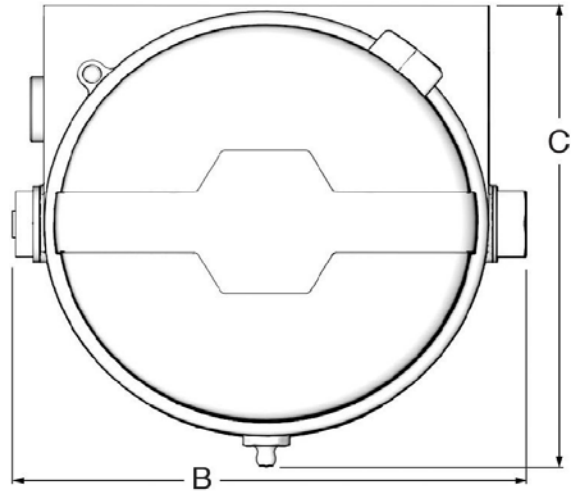


Ref.	Part	Description	Qty.
46		Plug, M20 Model 25R800, 25R801, 25R802, 25R803, 25R804, 25R806, 25R807, 25R808, 25R809, 25R810, 25R820, 25R821, 25R822, 25R823, 25R824, 25R826, 25R827, 25R828, 25R829, 25R830	1
50▲	16A579	Label, Warning	1
63a		DIN connector, Low Level Model 25R820, 25R822, 25R827, 25R829	1
63b		DIN connector, Manual Run Button Model 25R821, 25R823, 25R824, 25R825, 25R826, 25R828, 25R830	1
64		DIN connector, Power Input	1
65		Screw, Self-Tap Model 25R820-25R830	8
66		Cap Model 25R820-25R830	2

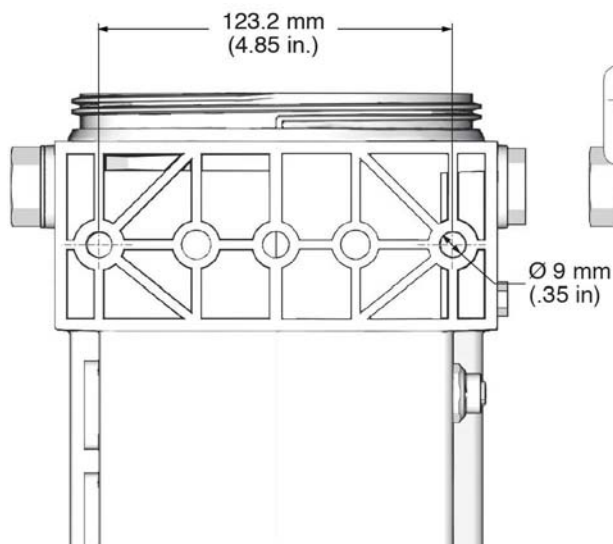
▲ Replacement safety labels, tags, and cards are available at no cost.

# Dimensions

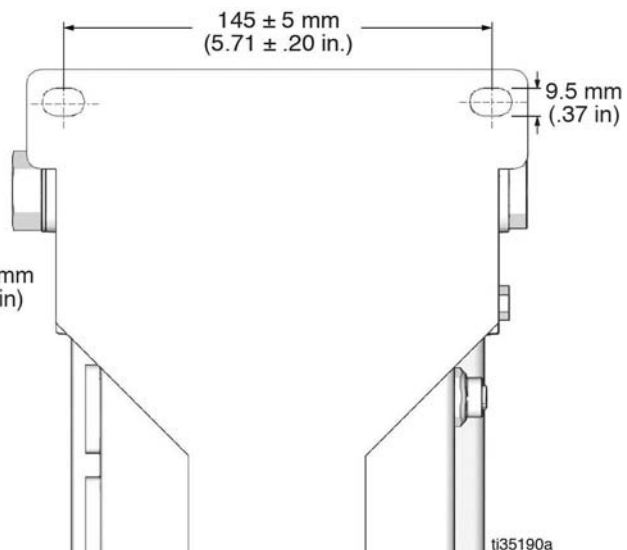
Model	Height - A		Width - B		Depth - C	
	Inches	cm	Inches	cm	Inches	cm
0.5L	10.9	27.7	6.97	17.7	6.57	16.7
1L	12.2	31.0	6.97	17.7	6.57	16.7



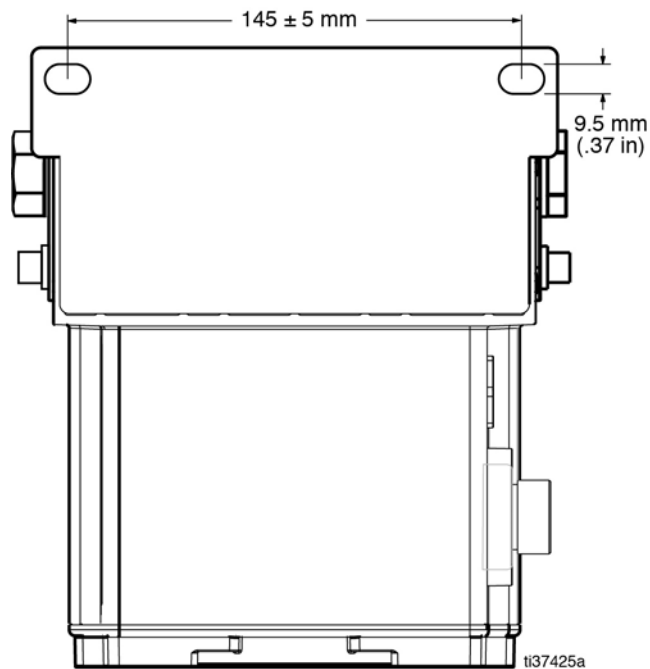
### Pump Mount



### CSP Valve Bracket Mount



### Universal Bracket Mount




# Technical Specifications

<b>G-Mini Pump</b>		
	<b>US</b>	<b>Metric</b>
Maximum fluid working pressure	4061 psi	28 MPa, 280 bar
Power		
12 VDC	9-16 VDC; 9.5 A current, 114 W, inrush/locked rotor 12 A	
24 VDC	18-32 VDC; 6.5 A current, 156 W, inrush/locked rotor 7.5 A	
Inputs - Proximity Switch	PNP Style Switch and Cable Only	
Pump Voltage: 12 VDC	11 mA at 12 VDC	
Pump Voltage: 24 VDC	22 mA at 24 VDC	
Outputs - Low Level		
Contact Rating	100 W maximum	
Switch Rating	200 VDC maximum	
Switching Current	0.5 A maximum	
Carry Current	1.2 A maximum	
Outputs - Manual Run Button		
Pump Voltage: 12 VDC	11 mA at 12 VDC	
Pump Voltage: 24 VDC	22 mA at 24 VDC	
Pump Output	3.0 cc minute at room temperature with 4061 psi (28 MPa, 280 bar) back pressure	
Pump Outlet	1/4 in. NPT female	
Reservoir Size	0.5 L	
	1.0 L	
IP Rating	IP69K	
Working Temperature*		
Non-Heater Model	5°F to 158°F	-15°C to 70°C
Heater Model	-40°F to 158°F	-40°C to 70°C
Weight	8.8 lb	4 kg
Wetted parts	carbon steel, alloy steel, stainless steel, nitrile rubber (buna-N), bronze, nickel plated alnico, chemically lubricated acetal, aluminum, PTFE, amorphous polyamide, nylon 6/6 (PA)	
Sound data	<60dB	

\*Achieving the minimum working temperature is contingent on using a temperature compliant grease in an appropriately designed system.

## California Proposition 65

 **WARNING:** This product can expose you to chemicals known to the State of California to cause cancer and birth defects or other reproductive harm. For more information, go to [www.P65warnings.ca.gov](http://www.P65warnings.ca.gov).

# Graco Standard Warranty

Graco warrants all equipment referenced in this document which is manufactured by Graco and bearing its name to be free from defects in material and workmanship on the date of sale to the original purchaser for use. With the exception of any special, extended, or limited warranty published by Graco, Graco will, for a period of twelve months from the date of sale, repair or replace any part of the equipment determined by Graco to be defective. This warranty applies only when the equipment is installed, operated and maintained in accordance with Graco's written recommendations.

This warranty does not cover, and Graco shall not be liable for general wear and tear, or any malfunction, damage or wear caused by faulty installation, misapplication, abrasion, corrosion, inadequate or improper maintenance, negligence, accident, tampering, or substitution of non-Graco component parts. Nor shall Graco be liable for malfunction, damage or wear caused by the incompatibility of Graco equipment with structures, accessories, equipment or materials not supplied by Graco, or the improper design, manufacture, installation, operation or maintenance of structures, accessories, equipment or materials not supplied by Graco.

This warranty is conditioned upon the prepaid return of the equipment claimed to be defective to an authorized Graco distributor for verification of the claimed defect. If the claimed defect is verified, Graco will repair or replace free of charge any defective parts. The equipment will be returned to the original purchaser transportation prepaid. If inspection of the equipment does not disclose any defect in material or workmanship, repairs will be made at a reasonable charge, which charges may include the costs of parts, labor, and transportation.

**THIS WARRANTY IS EXCLUSIVE, AND IS IN LIEU OF ANY OTHER WARRANTIES, EXPRESS OR IMPLIED, INCLUDING BUT NOT LIMITED TO WARRANTY OF MERCHANTABILITY OR WARRANTY OF FITNESS FOR A PARTICULAR PURPOSE.**

Graco's sole obligation and buyer's sole remedy for any breach of warranty shall be as set forth above. The buyer agrees that no other remedy (including, but not limited to, incidental or consequential damages for lost profits, lost sales, injury to person or property, or any other incidental or consequential loss) shall be available. Any action for breach of warranty must be brought within two (2) years of the date of sale.

**GRACO MAKES NO WARRANTY, AND DISCLAIMS ALL IMPLIED WARRANTIES OF MERCHANTABILITY AND FITNESS FOR A PARTICULAR PURPOSE, IN CONNECTION WITH ACCESSORIES, EQUIPMENT, MATERIALS OR COMPONENTS SOLD BUT NOT MANUFACTURED BY GRACO.** These items sold, but not manufactured by Graco (such as electric motors, switches, hose, etc.), are subject to the warranty, if any, of their manufacturer. Graco will provide purchaser with reasonable assistance in making any claim for breach of these warranties.

In no event will Graco be liable for indirect, incidental, special or consequential damages resulting from Graco supplying equipment hereunder, or the furnishing, performance, or use of any products or other goods sold hereto, whether due to a breach of contract, breach of warranty, the negligence of Graco, or otherwise.

## **FOR GRACO CANADA CUSTOMERS**

The Parties acknowledge that they have required that the present document, as well as all documents, notices and legal proceedings entered into, given or instituted pursuant hereto or relating directly or indirectly hereto, be drawn up in English. Les parties reconnaissent avoir convenu que la rédaction du présente document sera en Anglais, ainsi que tous documents, avis et procédures judiciaires exécutés, donnés ou intentés, à la suite de ou en rapport, directement ou indirectement, avec les procédures concernées.

# Graco Information

For the latest information about Graco products, visit [www.graco.com](http://www.graco.com).

For patent information, see [www.graco.com/patents](http://www.graco.com/patents).

**TO PLACE AN ORDER**, contact your Graco distributor or call to identify the nearest distributor.

**Phone:** 612-623-6928 **or Toll Free:** 1-800-533-9655, **Fax:** 612-378-3590

*All written and visual data contained in this document reflects the latest product information available at the time of publication. Graco reserves the right to make changes at any time without notice.*

Original instructions. This manual contains English. MM 3A6714

**Graco Headquarters:** Minneapolis

**International Offices:** Belgium, China, Japan, Korea

**GRACO INC. AND SUBSIDIARIES • P.O. BOX 1441 • MINNEAPOLIS MN 55440-1441 • USA**  
**Copyright 2020, Graco Inc. All Graco manufacturing locations are registered to ISO 9001.**

[www.graco.com](http://www.graco.com)  
Revision C, July 2020